

# IMPAC IGAR 6 SMART

Stationary, digital ratio pyrometer with possible combination of 1-color and 2-color non-contact temperature measurement in ranges between 100 and 2550°C (212 to 4622°F).



The Impac® IGAR 6 Smart is a digital, compact and fast infrared thermometer that can be operated in different modes: 1-color mode, 2-color mode or a special Smart mode. In Smart mode, measurements at lower temperatures are taken in 1-color mode whereas at higher temperatures the measurements are based on the 2-color method (ratio method). In this mode, the user can set the temperature at which the instrument transitions from 1-color mode to 2-color mode (min. transition temperature: 250°C, min. transition range: 30°C).

## PRODUCT HIGHLIGHTS

- Wide temperature ranges and various operating modes
- Automatic emissivity determination
- “Dirty Window” warning
- Fully digital core for sub-ranging and adopted analog output
- Very fast 2 ms response time for highly dynamic processes
- Best optics in its class with manual focus capability
- 4 digit LED display
- Robust, stainless steel sensor for harsh environments (IP65/NEMA4)

## TYPICAL APPLICATIONS

- Steel making
- Metal induction processes: hardening, tempering, annealing, soldering, brazing, welding, forging, etc.
- Metal processes: wire/rod mill, heating and cooling processes
- Sintering

## AT A GLANCE

### Temperature Ranges

1-color: 100 to 2550°C  
Smart mode: 100 to 2550°C  
2-color mode: 250 to 2550°C

### Spectral Range

Ch. 1: 1.5 to 1.6  $\mu\text{m}$   
Ch. 2: 2.0 to 2.5  $\mu\text{m}$

### Measurement Uncertainty

< 1500°C: 0.4% oR + 2°C  
> 1500°C: 0.8% oR in °C

### Repeatability

0.8% oR in °C

### Optics

Manually focusable between  
210 to 5000 mm

### Field of View

min 100:1 (min. 2.1 mm)  
Option: line optics

### Alignment

Laser targeting or through-lens  
sighting or color TV camera

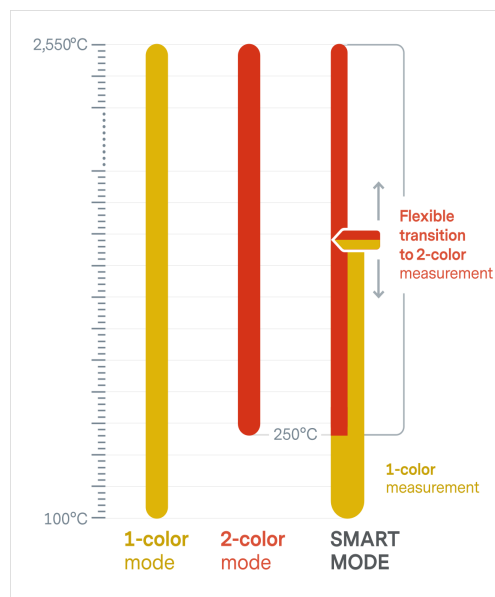
## OVERVIEW

In 2-color mode, two adjacent wavelengths are used for the temperature determination. This technique offers the following advantages compared to standard 1-color pyrometers:

- The temperature measurement is largely independent of the object's emissivity and in wide ranges unaffected by dust and other contaminants in the field of view.
- The measuring object can be smaller than the spot size, measurements through dirty viewing windows are possible up to a certain contamination.

The response time of only 2 ms facilitates the measurement of fast processes. The IGAR 6 is also equipped with a built-in "dirty window" warning.

When the instrument is operated in Smart mode, measurements at lower temperatures are taken in 1-color mode whereas at higher temperatures the measurements are based on the 2-color method (ratio method). The temperature at which the instrument transitions from 1-color mode to 2-color mode is flexible and can be set by the user (min. transition temperature: 250°C, min. transition range: 30°C).



When the instrument is operated in 2-color or smart mode, InfraWin provides the option to automatically determine the emissivity. By pushing the button "Emi=xxx% Accept", this emissivity is set and used for all measurements in 1-color mode or in smart mode below the selected transition temperature.

## TECHNICAL DATA

Measurement Specifications	
Temperature Range	1-color and Smart mode: 100 to 2550°C (212 to 4622°F) 2-color (ratio) mode: 250 to 2550°C (482 to 4622°F)
Sub Range	Any range adjustable within the temperature range, minimum span: 50°C
Spectral Ranges	Channel 1: 1.5 to 1.6 μm Channel 2: 2.0 to 2.5 μm
Resolution	0.1°C or 0.2°F at interface < 0.0015% of selected sub range at analog output, min. 0.1°C, 16 bit; 1°C or 1°F on display
Emissivity ε	0.050 to 1.000 in steps of 1/1000 (1-color mode)
Transmittance τ	0.050 to 1.000 in steps of 1/1000 (1-color mode)
Emissivity Slope κ	0.600 to 2.000 in steps of 1/1000 (2-color mode)
Measurement Uncertainty (κ = 1, t <sub>90</sub> = 1 S, T <sub>amb</sub> = 25 °C)	< 1500°C: 0.4% of reading in °C + 2°C > 1500°C: 0.8% of reading in °C
Repeatability (κ = 1, t <sub>90</sub> = 1 S, T <sub>amb</sub> = 25 °C)	0.2% of reading in °C + 1°C

TECHNICAL DATA (CONTINUED)

Optical Specifications	
Sighting	Built-in laser aiming light (max. power level < 1 mW, $\lambda$ = 630 to 680 nm, CDRH class II) or through-lens sighting
Optics	Manually focusable from rear cover, measuring distance $a$ = 210 to 5000 mm
Distance Ratio	Approx. 100:1

Electrical	
Power Supply	24 VDC $\pm$ 25%, ripple must be less than 50 mV
Power Consumption	Approximately 3 W (including laser)
Load (analog output)	0 to 500 $\Omega$
Isolation	Power supply, analog output and digital interface are electrically isolated from each other

Environmental Specifications	
Protection Class	IP 65 IEC 60529 (value in mated condition)
Operating Position	Any
Ambient Temperature	0 to 65°C (32 to 149°F) at housing
Storage Temperature	-20 to 80°C (-4 to 176°F)
Relative Humidity	Non-condensating conditions
Weight	0.6 kg
Housing	Stainless steel
CE Label	According to EU directives about electromagnetic immunity

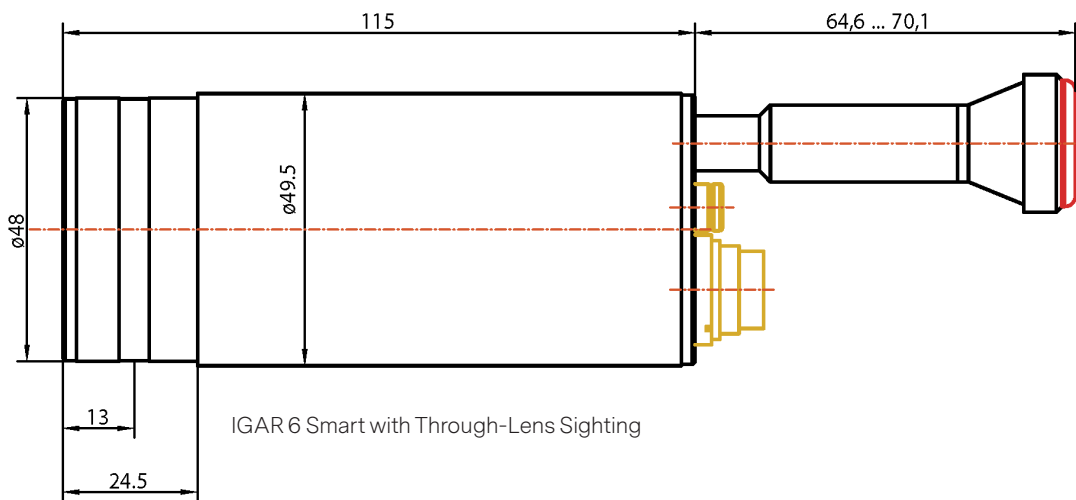
Interface	
Connection	12-pin connector
Display (in rear cover)	LED, 4 digit matrix, 5 mm high for 2-color or 1-color temperature signal or measuring distance
Parameters	Adjustable via interface: 2-color / 1-color temperature signal, smart mode, metal mode, accordingly emissivity slope or emissivity, temperature sub range, settings for maximum value storage, address, baud rate, switch off limit, "dirty window" warning, transmittance, response time $t_{90}$ , 0 to 20 mA or 4 to 20 mA analog output range, °C/°F
	Readable via interface: measured value, internal temperature of the unit, measuring distance

Communication	
Analog Output	Adjustable 0 to 20 mA or 4 to 20 mA, linear (via digital interface)
Digital Interface	RS485 addressable (half-duplex) or RS232
	Baud rate: 1200 to 115.2 kBd (RS485), RS232: not addressable
Switch Off Limit	2% to 50% (adjustable via interface)
"Dirty Window" Warning	Relay contact, max. continuous current 0.4 A, setting of the warning level: 0 (off) to 99%
Response Time $t_{90}$	2 ms (with dynamic adaption at low signal levels); adjustable to min, 0.01 s, 0.05 s, 0.25 s, 1 s, 3 s, 10 s
Maximum Value Storage	Built-in single or double storage
	Clearing with adjusted time $t_{clear}$ (off, 0.01 s, 0.05 s, 0.25 s, 1 s, 5 s, 25 s), via interface, automatically with the next measuring object, external contact, hold-function

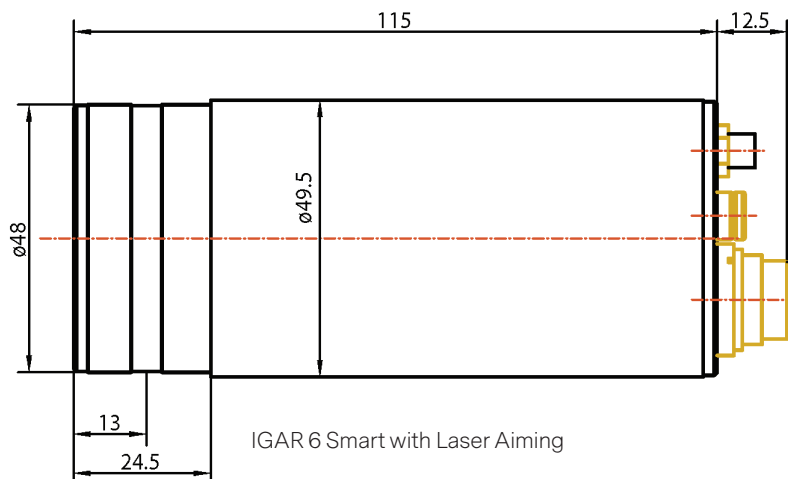
The determination of the technical data of this pyrometer is carried out in accordance with VDI/VDE IEC TS 62942-2, the calibration / adjustment in accordance with VDI/VDE 3511, Part 4.4.

# IMPAC IGAR 6 SMART

## PRODUCT SCHEMATIC



IGAR 6 Smart with Through-Lens Sighting



IGAR 6 Smart with Laser Aiming

Dimensions in mm

## SIGHTING

IGAR 6 Smart with Through-Lens Sighting



IGAR 6 Smart with Laser Aiming

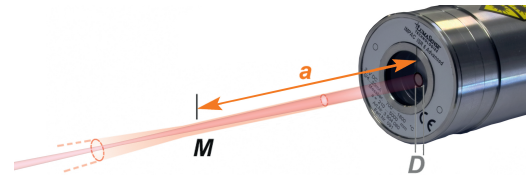


**OPTICS**

IGAR 6 Smart	
Distance a [mm]	100 to 2550°C
	Spot diameter M [mm]
210	2.1
300	3
500	5
800	8
1300	13
2000	20
5000	50

The optics can be manually adjusted at all distances between 210 mm and 5000 mm. The table shows examples of distances and the corresponding spot diameters.

Effective aperture D for all temperature ranges: 13 mm (focused to longest distance) to 15 mm (focused to shortest distance).



**Optional Integrated Line Optics**

In addition to the standard optical heads, the IGAR 6 is available with an optional integrated line optics which features a special spot in shape of a line. It provides additional advantages for some applications such as wire production or pouring stream measurements.

The length of the spot equals 5% of the measuring distance.



**REFERENCE NUMBERS**

IGAR 6 Smart			
Temperature Range	With Through-Lens Sighting	With Laser Aiming	With Laser Targeting and Line Shaped Spot (5%)
100 to 2550°C	3 914 960 (RS485)	3 914 970 (RS485)	3 914 890 (RS485)
	3 914 930 (RS232)	3 914 920 (RS232)	3 914 880 (RS232)

**Scope of Delivery**

Pyrometer, PC adjustment and evaluation software InfraWin, works certificate, and operating instructions.

**Ordering Note**

A connection cable is not included in scope of delivery and must be ordered separately.

## ACCESSORIES

PN	Description
3 820 330	Connection cable, 5 m, straight connector <sup>1</sup>
3 820 500	Connection cable, 10 m, straight connector <sup>1</sup>
3 820 510	Connection cable, 15 m, straight connector <sup>1</sup>
3 820 810	Connection cable, 20 m, straight connector <sup>1</sup>
3 820 820	Connection cable, 25 m, straight connector <sup>1</sup>
3 820 520	Connection cable, 30 m, straight connector <sup>1</sup>
3 820 340	Connection cable, 5 m, 90° connector <sup>1</sup>
3 820 530	Connection cable, 10 m, 90° connector <sup>1</sup>
3 820 540	Connection cable, 15 m, 90° connector <sup>1</sup>
3 820 830	Connection cable, 20 m, 90° connector <sup>1</sup>
3 820 840	Connection cable, 25 m, 90° connector <sup>1</sup>
3 820 550	Connection cable, 30 m, 90° connector <sup>1</sup>
3 852 290	Power supply NG DC for DIN rail mounting; 100 to 240 VAC ⇒ 24 VDC, 1 A
3 852 550	Power supply NG 2D for DIN rail mounting; 85 to 265 VAC ⇒ 24 VDC, 600 mA with 2 settable limit switches
3 826 750	USB-RS485 adaptor cable, 1.8m, HS Version 4.5 Mbd
3 826 510	PI 6000: PID programmable controller, very fast, for digital IMPAC pyrometers
3 890 640	DA 4000-N: LED digital display to be built into the switchboard
3 890 650	DA 4000: LED-display, 2-wire power supply, 2 limit switches (relay contacts), 230 VAC
3 890 570	DA 6000-N digital display, to allow adjustment of Pyrometer through RS485 interface
3 890 530	DA 6000: like the DA 6000-N, but with analog input and 2 limit switches for the RS485 interface.
3 890 630	LD24-UTP; large digital indicator, 57 mm height of digits
3 843 250	ROT 5 scanning mirror attachment up to 70°
3 843 490	SCA 5, External Scanner Series 5 and 6 with fused silica window, 24 VAC/DC
3 846 260	Instrument's support (Series 5 and 6)
3 834 210	Adjustable mounting support (Series 5 and 6)
3 846 290	Instrument's support (Series 5 and 6) with fused silica window
3 835 590	90° mirror with quartz glass window (Series 5 and 6)
3 835 160	Air purge unit, aluminium
3 837 230	Water cooling jacket (heavy duty) with integrated air purge unit
3 837 540	Cooling plate for series 5 and 6, with air purge
3 846 590	Vacuum flange KF16 with quartz glass window

<sup>1</sup> All connection cables include a short adapter cable with a 9-pin SUB-D connector. This connector may be used in combination with the RS485 to USB adapter.

## INFRAWIN 5 OVERVIEW

InfraWin is easy-to-use measurement and evaluation software for remote configuration of stationary, digital Impac brand pyrometers.

This software allows the user to remotely adjust and control settings for one or two pyrometers from a single computer. InfraWin also allows the user to simultaneously monitor and control temperatures.

- Display temperature data as color bars and online graphics
- Capture downstream evaluations as tables, graphics or text files
- Calculate the spot size for different measuring distances
- Features UPP standard (Universal Pyrometer Protocol)

### Pyrometer Settings

An Impac digital pyrometer connected to a PC will be automatically detected by the software. All available parameters are adjustable, including emissivity, response time, maximum value storage, output signal and sub range.

Further special functions are adjustable for example controllers or TV parameters on instruments available with these functions. Changes are transmitted directly to the pyrometer.



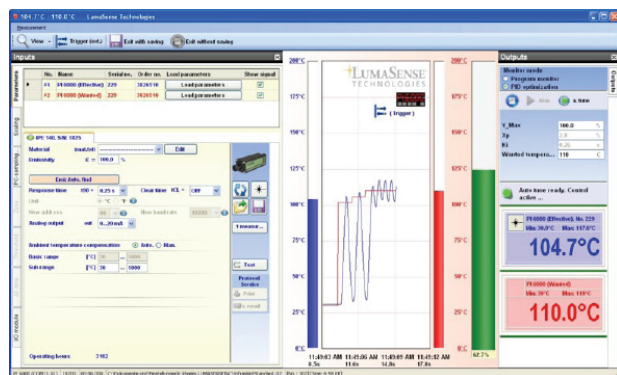
### Measurement with Color Bar

In this window a temperature value for the upper or lower limit can be adjusted numerically or with the mouse.

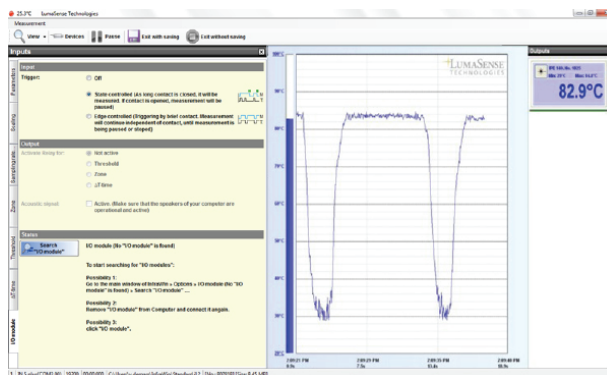
The acquired minimum and maximum value is indicated as well as the inner temperature of the pyrometer. The emissivity is changeable during the measurement at any time.

### Spot Size Calculator

After input of the aperture and the focused spot size per datasheet, the calculation of spot sizes at non-focused distances is possible.



Measurement with Internal Temperature of radiation temperature and internal instrument temperature. Parameters can be changed during the measurement.



I/O Module allows users to trigger measurement externally and gives a potential free output contact.



For international contact information,  
visit [advancedenergy.com](http://advancedenergy.com).

[sales.support@aei.com](mailto:sales.support@aei.com)  
+1 970 221 0108

## ABOUT ADVANCED ENERGY

Advanced Energy (AE) has devoted more than three decades to perfecting power for its global customers. AE designs and manufactures highly engineered, precision power conversion, measurement and control solutions for mission-critical applications and processes.

AE's power solutions enable customer innovation in complex semiconductor and industrial thin film plasma manufacturing processes, demanding high and low voltage applications, and temperature-critical thermal processes.

With deep applications know-how and responsive service and support across the globe, AE builds collaborative partnerships to meet rapid technological developments, propel growth for its customers and power the future of technology.

PRECISION | POWER | PERFORMANCE

---

Specifications are subject to change without notice. Not responsible for errors or omissions. ©2021 Advanced Energy Industries, Inc. All rights reserved. Advanced Energy®, IMPAC®, and AE® are U.S. trademarks of Advanced Energy Industries, Inc.

